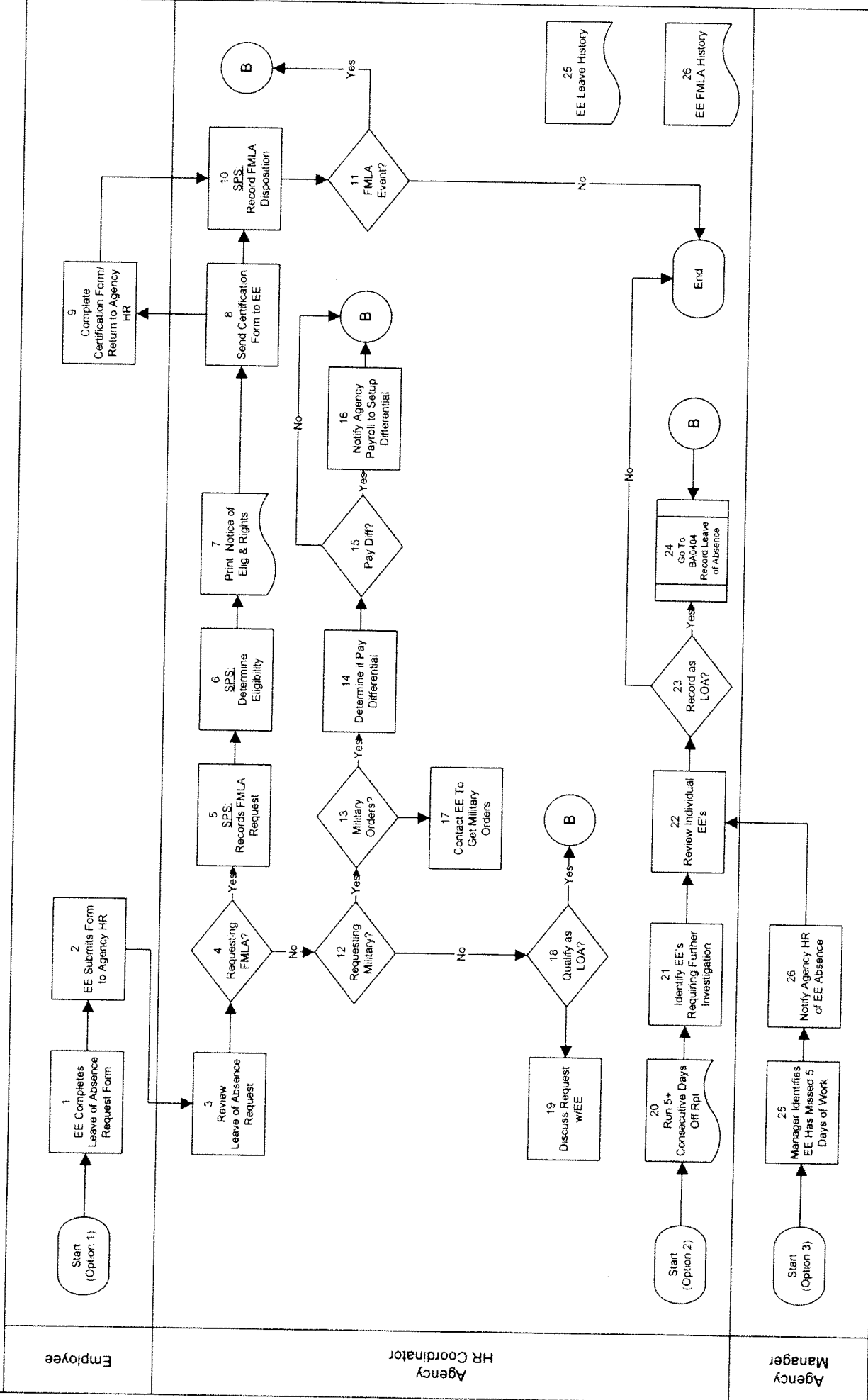
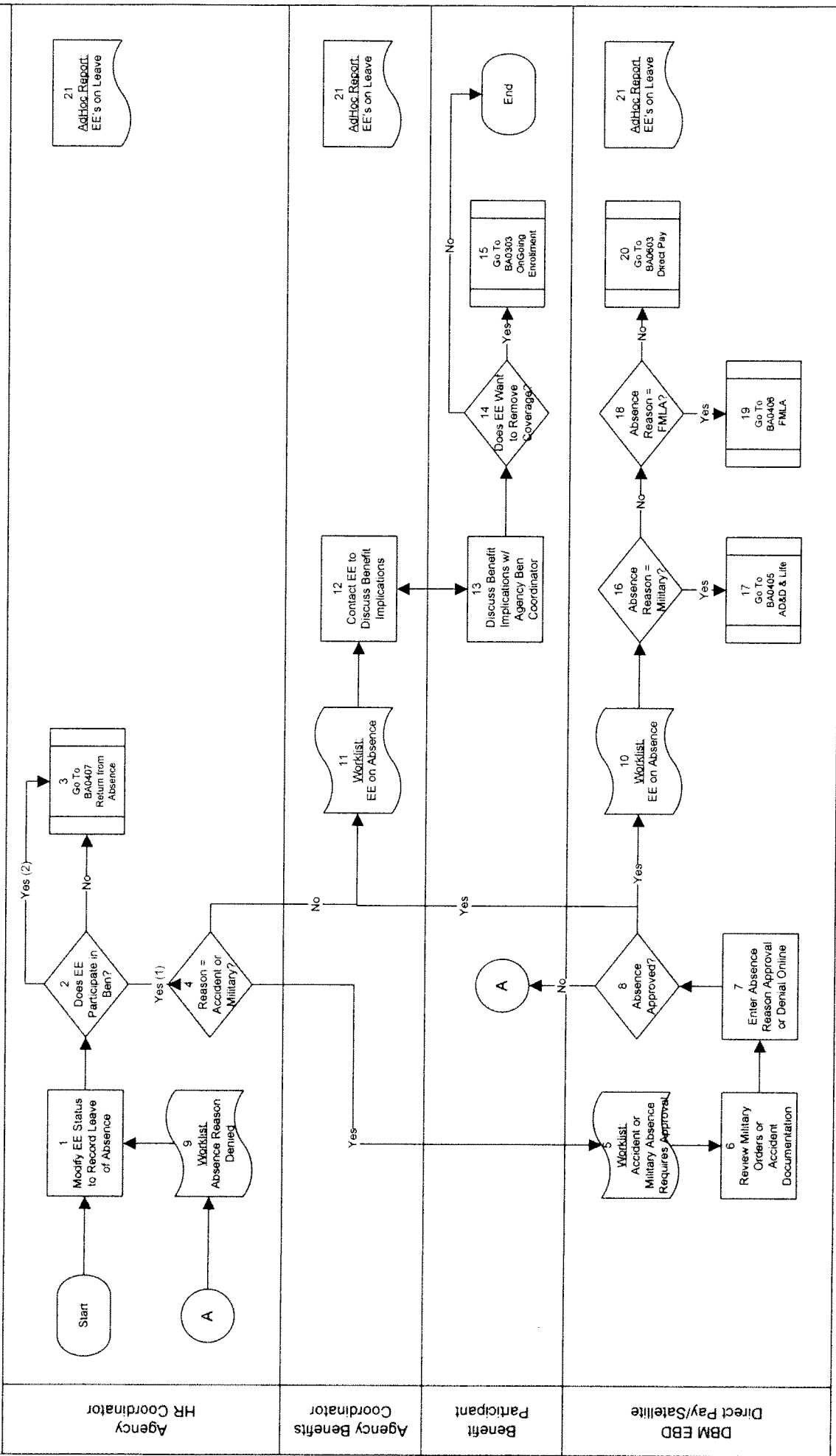


LV0100 – Initial Request or Evaluation of a Leave of Absence



BA0404 – Record Leave of Absence

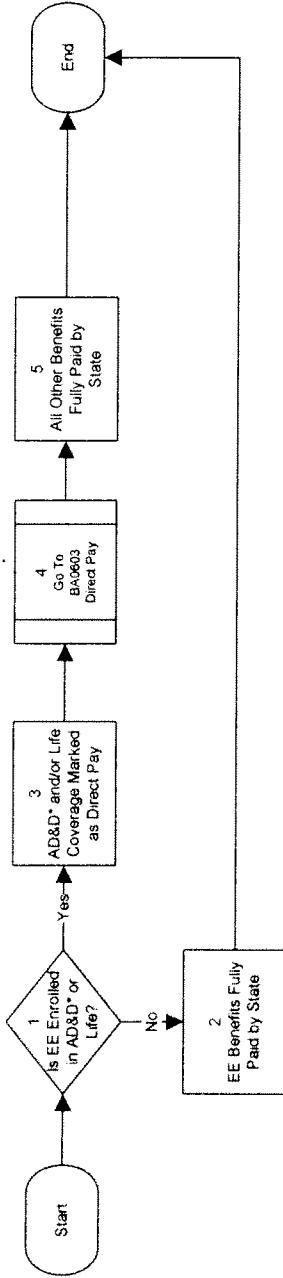
(This process would be used to record a Leave of Absence (FMLA, Service Member, Accident, Personal, Military, Medical) on the employee record.)



BA0405 – AD&D & Life Insurance Coverage

(This process would be used to evaluate a Leave of Absence for impact on AD&D and Life Insurance benefit expense.)

For AD&D and/or Life Coverage

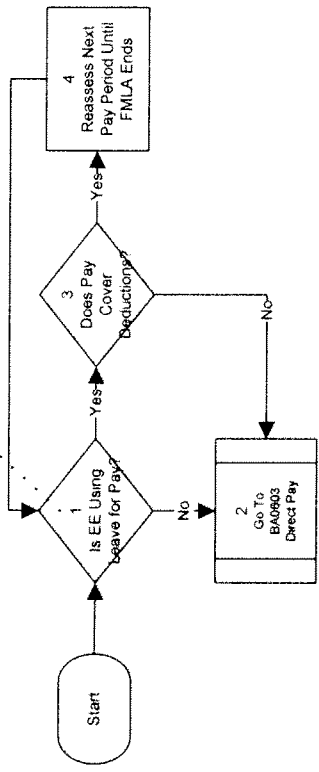


SPS

*AD&D = Personal Accident & Dismemberment

BA0406 – FMLA

Personal Leave Accrual
or Leave Bank



SPS

BA0407 – Return from Leave of Absence

